

Purleve™ EnviroSeal™ Trap with ZeroFlush® Urinals

Key ZeroFlush® Savings Facts:

- + **Saving Water:** On average each ZeroFlush® Urinal saves 40,000 Gallons (151,000 liters) or more of fresh water per year.
- + **Reduce Operating Costs:** ZeroFlush® urinals have no flush valves, electronic sensors, or mechanical parts that lead to breakdowns and related expensive maintenance.
- + **Cleaner and more Hygienic Washrooms:** ZeroFlush® 'no touch' urinals avoid the numerous water related messes.
- + **Reduce Greenhouse Gases:** Energy excessive water treatment and transport process are avoided.

ZeroFlush® Benefits:

- + Modern urinal surface designs help reduce splash and ensures your floor remains cleaner.
- + Easy installation and retrofit.
- + Water efficiency and LEED point accumulation.
- + Vitreous China and Stainless Steel.

EnviroSeal™ System Include:

- Mounting Hardware
- Wall Bracket
- Drain Flange Coupler
- Purleve™ EnviroSeal™
- Purleve™ BioPūr™ Kits
- Installation and Maintenance Instructions

EnviroSeal™ Urinals with Chrome or White BioPūr™ Kits

Model 2101 - C (Chrome)
Model 2101 - W (White)



Model 2201 - C (Chrome)
Model 2201 - W (White)



Model 2301 - C (Chrome)
Model 2301 - W (White)



Model 2401 - C (Chrome)
Model 2401 - W (White)



Model 2501 - C (Chrome)
Model 2501 - W (White)

Note: all urinals shown with white BioPūr™ Kits

Meets ASME A112.19.2-2008 and ASME A112.19.19-2006 for Nonwater Consuming Vitreous China Urinals as referenced in both the UPC and IPC.



Purleve™ EnviroSeal™ and ZEROFLUSH® CERTIFIED URINALS



Global Innovation for
Water Conservation

Phone: (407) 935-1180
Toll Free: (877) 787-5383
Fax: (407) 935-0001

Purleve™ Headquarters
111 W. Olive St.
Glendale, WI 53212 USA

Purleve™ | ZeroFlush™
www.purleve.com
www.zeroflush.com

Pürleve™ EnviroSeal™ System

The EnviroSeal™ Advantage:
The Pürleve™ EnviroSeal™ in combination with the ZeroFlush® zero water urinals, are the culmination of proven technology, environmental concern and continuous innovation. The patent pending system provides superior odorless performance and trouble free operation, while improving total washroom sanitation and hygiene.

- + ZeroFlush® Certified system
- + Two Trap design options for unique customer preferences
- + Recyclable EnviroSeal™ and BioPür™ Systems
- + Estimated 6 months of use
- + Enhanced Seal Protection and Pleasant Fragrance with BioPür™

Chrome EnviroSeal™ with Chrome BioPür™



Model: 2501-C

White EnviroSeal™ with White BioPür™

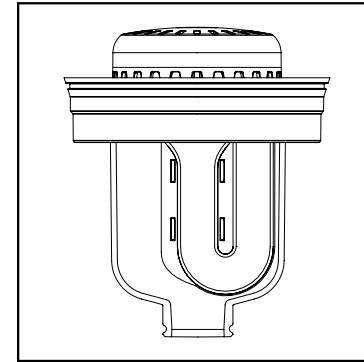


Model: 2501-W

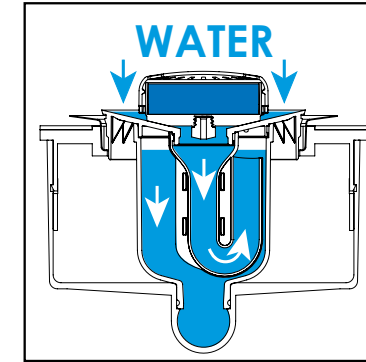
- + EnviroSeal™ system protected by Pürleve™ Bionic Infusion to break down bacteria buildup
- + All natural cleaner in BioPür™
- + Easy maintenance and cleaning
- + Lowest operational costs and most cost efficient system available

Pürleve™ EnviroSeal™ Trap You Choose!

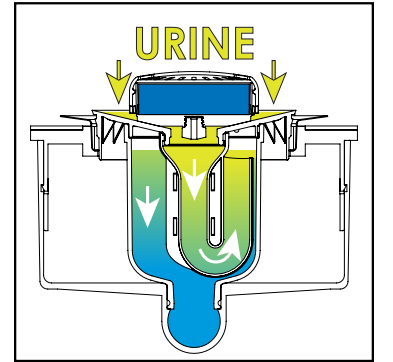
Standard J-Trap Seal



1. Standard J-Trap – Trap Shown Open

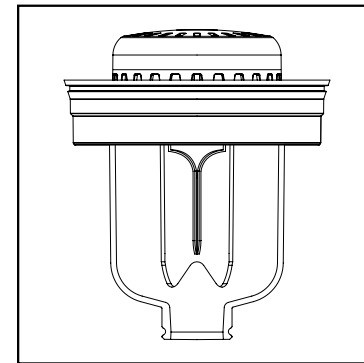


2. Pour 1 Pint (16 oz.) of Water Into System – Seal Complete

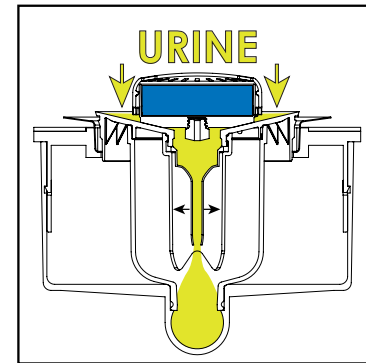


3. Continuous Seal after each use prevents malodor from escaping.

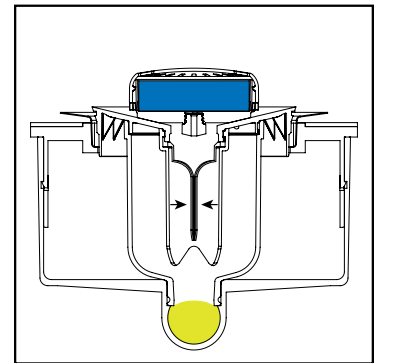
Elastomer Seal



1. Elastomer Seal – Trap Shown Closed



2. Seal opens as liquid passes through drain.



3. After liquid has passed, elastomer trap seals to prevent escape of malodor.

PROVIDING CLEANER, HEALTHIER, AND ODOR CONTROLLED WASHROOMS

Pürleve™ BioPür™

INDUSTRY LEADING PROTECTION & ODOR CONTROL

The Pürleve™ BioPür™ enzyme kits are composed of specially formulated bacterial cultures capable of degrading uric acid, the leading cause of odors in urinals. The enzyme blocks contain powerful biological cleaning agents, proven to maintain clear and odor free urinal traps and lines by degrading the crystalline structure of uric acid that can slow the drain system and standard traps. These enzyme blocks are designed to be safer and less damaging than the conventional pCDB chemicals used in most urinal blocks.

The BioPür™ kits are cost efficient and can help save money by prolonging the use of the Pürleve™ EnviroSeal™ and minimizing time for urinal cleanings. Specifically, the BioPür™ enzyme's dispense bacteria, water softening agents into the Pürleve™ EnviroSeal™ System and pipelines each time the urinal is used or cleaned. The unique formula targets and cleans scaling build-ups as it deodorizes.

BioPür Enzyme

EnviroSeal™ System Includes:

- EnviroSeal™ Cartridge
- BioPür™ Kit
- EnviroSeal™ Key



The Pürleve™ EnviroSeal™ system includes Silver Ion additives which release over a controlled rate at the surface of the polymer substrates (EnviroSeal™ parts). This imparts an effective and persistent antimicrobial effect which offers excellent resistance to washing and remains effective for the long term use of the Pürleve™ EnviroSeal™.

No need to wipe. Spray and Walk Away!

DAILY CLEANING

Similar to other urinals (water and no water), ZeroFlush® urinals should be cleaned on a regular basis.

The ZeroFlush® urinals are designed with the maintenance person in mind. Cleaning is very quick and easy.

No scrubbing with detergents is required or use of odor masking devices or chemicals.



Pürleve™ delivers a revolutionary cleaner and deodorizer that harnesses the power of bacteria and enzymes to yield unsurpassed cleaning power. Unlike chemical options which offer a temporary solution, this formula naturally and safely degrades grease and organic buildup on a wide variety of hard surfaces. The biological components are highly efficient at penetrating porous surfaces to remove embedded grease and grime in crevices and grout lines.