

**SENIOR SENSOR OPERATED
ALUMINIUM WHITE EPOXY**

Code: M89A

General Description

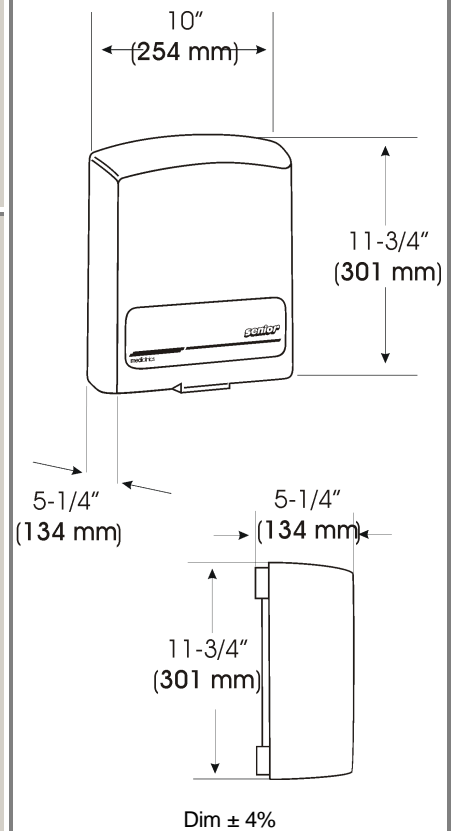
- Warm air hand dryer.
- Sensor operated.
- Suitable for medium traffic facilities.
- Compact, maintenance-free.
- Highest durability in its class.
- It normally goes along with a soap dispenser.

Components & Materials

- White ALUMINUM one-piece cover, 1/8" (3 mm) thick. Cover fixed to the base by means of 4 Phillips head screws.
- Engineering thermoplastic PP base, with 4 Ø 5/64" (8 mm) holes for wall mounting.
- Motor, induction, 3,300 rpm (at 60 Hz), maintenance-free and high durability, incorporates a safety thermostat.
- PP UL94-VO single inlet fan wheel.
- Waved wire NiCr resistor that incorporates a safety thermostat.
- Adjustable (2"-8") IR electronic detection sensor.
- Stainless steel air outlet grill.

Technical Specifications

Voltage	110-120 V	Total power	1,300 W
Frequency	50/ 60 Hz	Motor power	1/7 hp
Electrical isolation	Grounding required	Heating element power	1,200 W
Dimensions	10"W x 11-3/4"H x 5-1/4"D	Consumption	11 A
Weight	8.27 Lbs.	r.p.m.	3,300
Effective airflow	111 CFM	Air temp. (at 4" distance / 70 °F)	123.8 °F
Nominal airflow	139 CFM	Drying time	45 sec
Air velocity	3,872 LFM	Noise level (at 79")	60 dB



Operation

Place the hands under the air outlet grill. The dryer will start automatically, and go on with no interruption as long as the hands are kept in the detection range of the sensor. The appliance will stop 2 seconds after the hands are removed from the airflow.

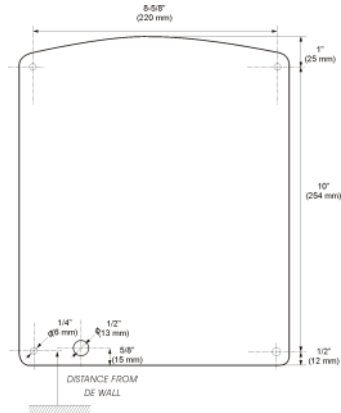
Installation

Screws are included. Please refer to [Back](#)

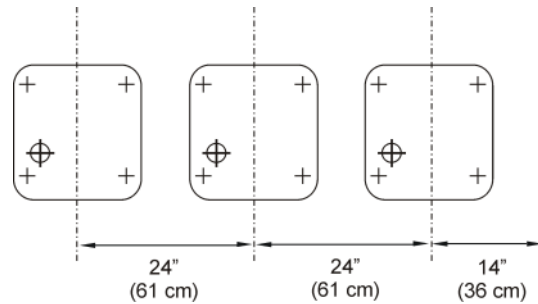
Certificates & Qualifications

UL comply with UL499 norm.

MOUNTING



SERIAL MOUNTING



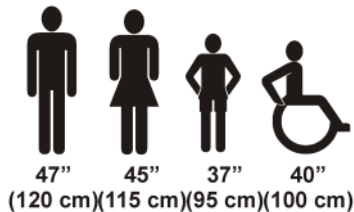
Nº dryers to be fitted

In toilet areas with a normal frequency of use and only one wash-basin: 1 dryer.
 In toilet areas with a normal frequency of use and more than one wash-basin: 1 dryer for each 2 wash-basins.
 1 row of 4 wash basins: 2 dryers; 1 row of 6 wash basins: 3 dryers; 1 row of 8 wash basins: 4 dryers.
 In toilet areas with high traffic and more than one wash-basin: 2 dryers for each 3 wash-basins.
 1 row of 4 wash basins: 3 dryers; 1 row of 6 wash basins: 4 dryers; 1 row of 8 wash basins: 5 dryers.

Ideal location

Between the wash-basin and exit. It is not recommended to install dryer between wash-basins, next to urinals, lavatories and showers. If installing automatic dryers over marble surface or ledge, the minimum distance from the dryer to the ledge must be 15-3/4. It is recommended that hand dryers be distributed throughout the washroom area to avoid overcrowding.

H = Distancia al suelo
 H = Distance from floor
 H = Hauteur par rapport au sol
 H = Abstand vom Boden



RECOMENDED HEIGHTS DISTANCE FROM THE FLOOR

Specification

Surface mounted hand dryer shall be fabricated with one-piece 1/8" thick aluminium cover. The back base shall be thermoplastic ABS UL94-5V and with 4 holes for wall mounting. The dryer shall be activated through an infrared electronic sensor and shall automatically turn off when hands are removed. The induction motor shall be 1/7 hp, 3,300 r.p.m.(at 60 Hz) and incorporate a temperature limiter which switch off at 266 °F (130°C). The waved wire NiCr heating element should incorporate a thermal limiter, which will switch off by a temperature of 176 °F (80°C.). The PP UL94-V0 fan should have a single inlet and the fan scroll shall be made of thermoplastic ABS UL94-5V. Dryer shall deliver 139 CFM of air at 123.8 °F (51 °C) and 3,872 LFM velocity during user controlled drying cycle. The dryer shall have a total power of 1,300 Watts with a consumption of 11A. Noise level should be 60 dB. Overall dimensions shall be 10"W x 11-3/4"H x 5-1/4"D.

Surface-Mounted Hand Dryer shall be Model M89A of Saniflow Corporation, 2655 Le Jeune Road Suite 810, Coral Gables, FL 33134

Saniflow Corp reserves the right to make changes and/or modifications to the products and their specifications without warning or notice.

Revision 04-2004

© SANIFLOW Corp.